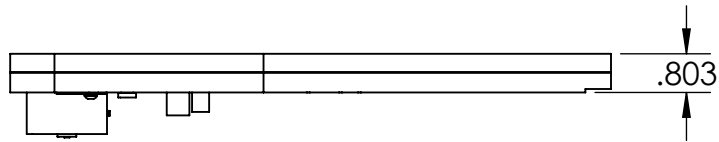
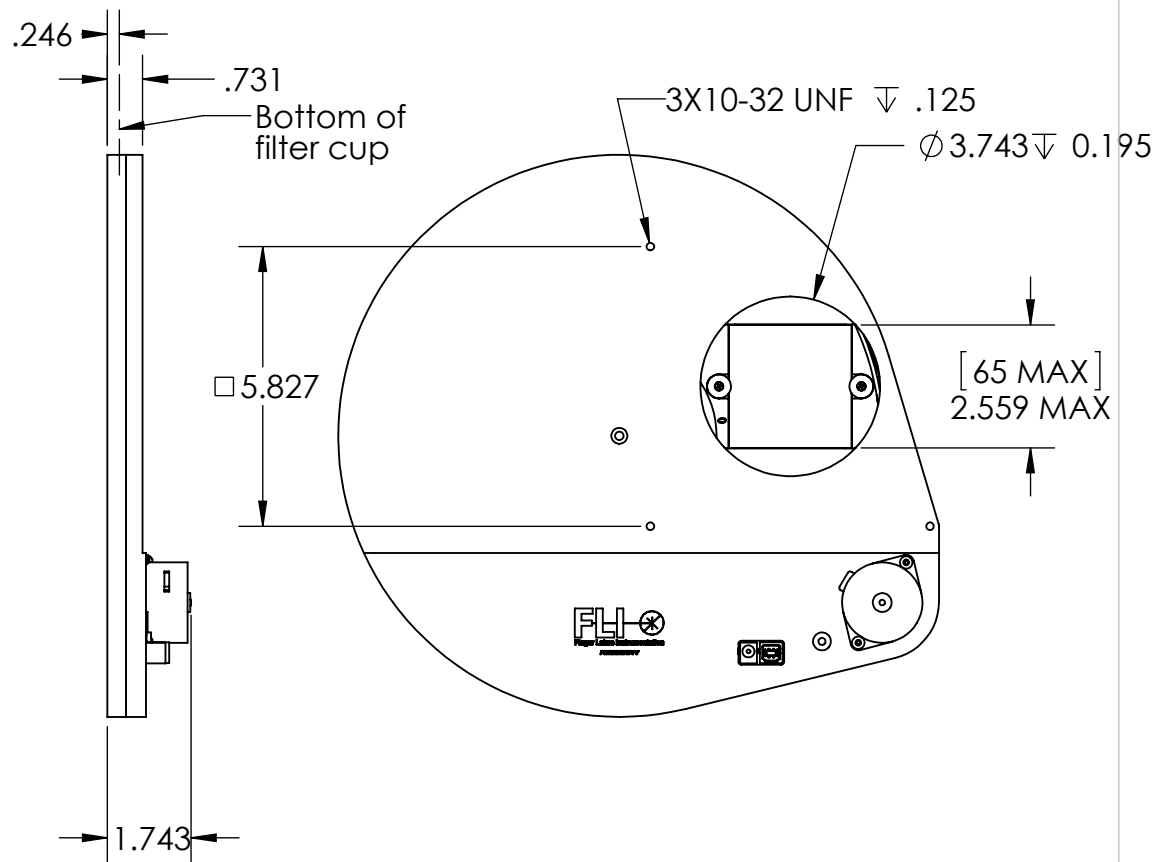
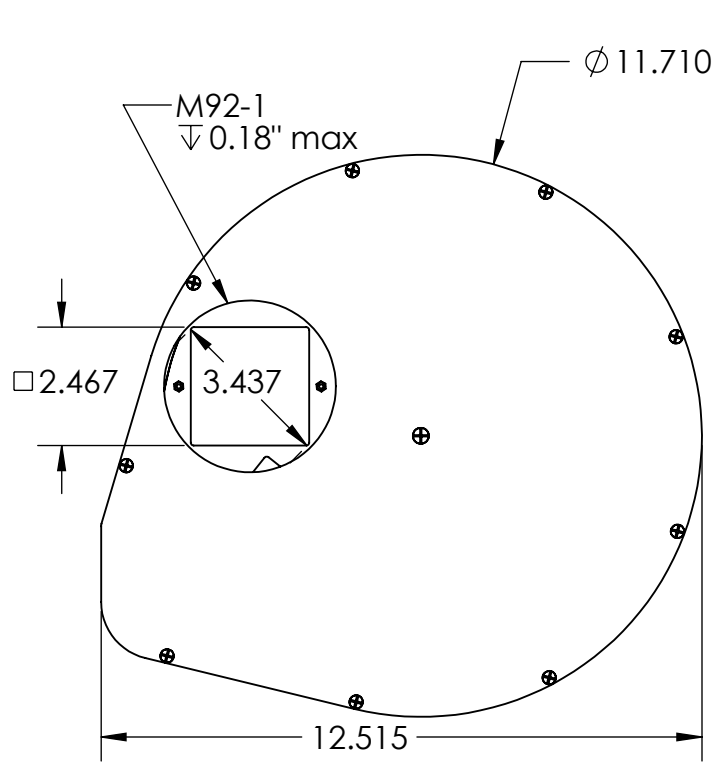



REV.	DESCRIPTION	DATE
A	Release	4/18/11
B	Increase aperture	10/12/2015



CFW10_A11110



FLI
Finger Lakes Instrumentation

PROPRIETARY AND CONFIDENTIAL:
THE INFORMATION CONTAINED IN THIS
DRAWING IS THE SOLE PROPERTY OF
FINGER LAKES INSTRUMENTATION.
ANY REPRODUCTION IN PART OR AS
A WHOLE WITHOUT THE WRITTEN
PERMISSION OF
FINGER LAKES INSTRUMENTATION
IS PROHIBITED.

	NAME	DATE	SIZE	MATERIAL:
DRAWN	REC	1/22/09	A	
ENG.			WT:	FINISH:
QUALITY			REV	INTERPRET GEOMETRIC TOLERANCING PER: ASME Y14.5
PROD.			B	
DO NOT SCALE DRAWING			SCALE: 1:4	SHEET 1 OF 1