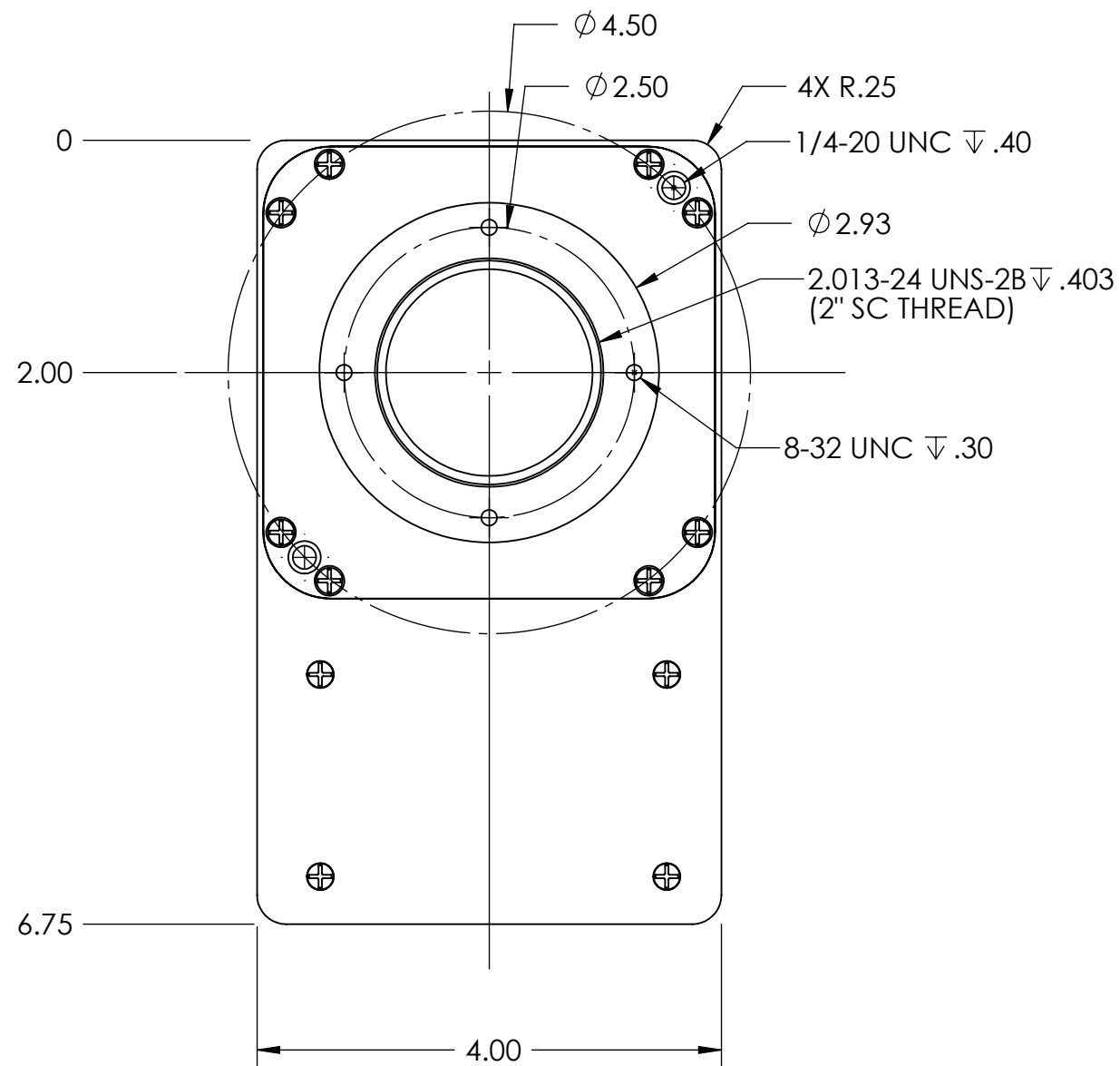
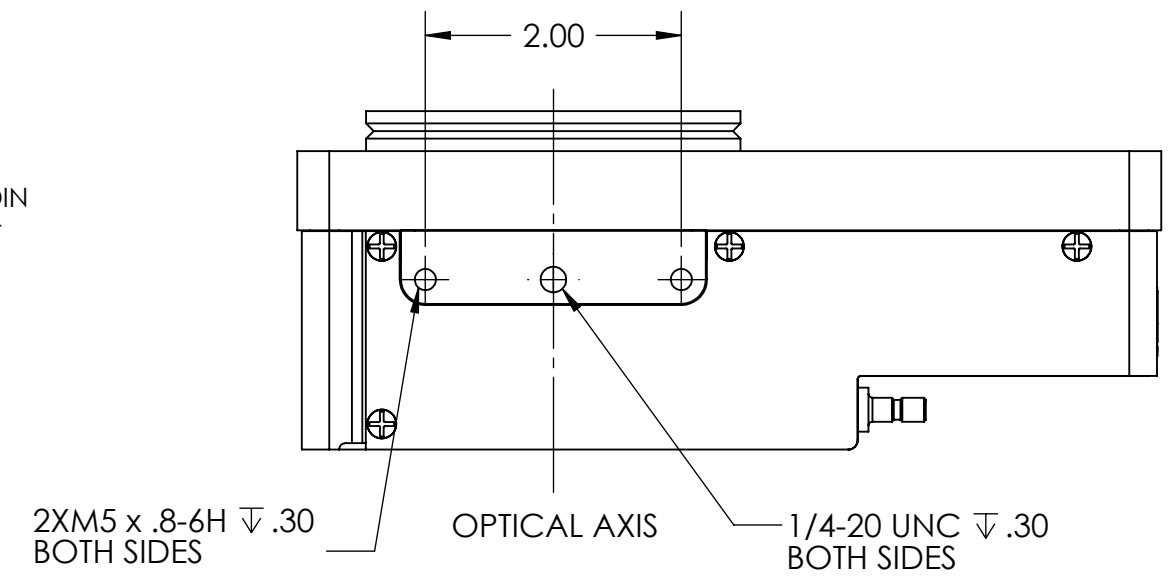
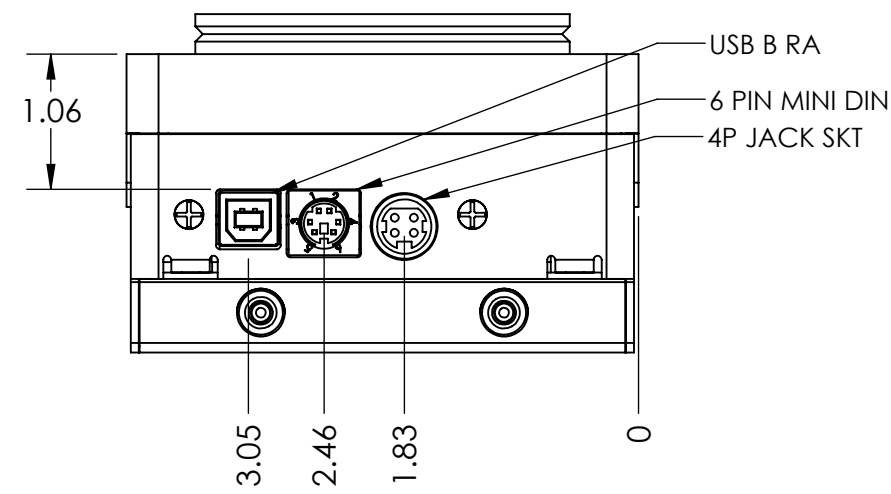
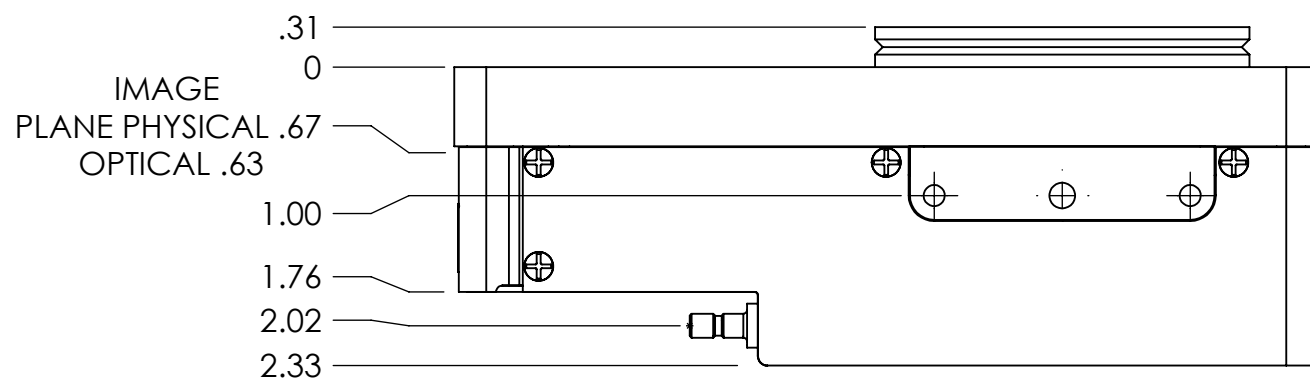


Shown with Dry Disconnect connector configuration (other configurations available upon request)

OPTICAL AXIS



UNLESS OTHERWISE SPECIFIED:	NAME	DATE	PN:
DIMENSIONS ARE IN INCHES	DRAWN	CJC	3/30/11
TOLERANCES:	CHECKED		
ANGULAR: ±1°	ENG APPR.		
TWO PLACE DECIMAL ±.01	MFG APPR.		
THREE PLACE DECIMAL ±.003			
FOUR PLACE DECIMAL ±.0005			
INTERPRET GEOMETRIC TOLERANCING PER:	Q.A.		
MATERIAL	<b>PROPRIETARY AND CONFIDENTIAL</b>		
FINISH	THE INFORMATION CONTAINED IN THIS DRAWING IS THE SOLE PROPERTY OF FINGER LAKES INSTRUMENTATION. ANY REPRODUCTION IN PART OR AS A WHOLE WITHOUT THE WRITTEN PERMISSION OF FINGER LAKES INSTRUMENTATION IS PROHIBITED.		
DO NOT SCALE DRAWING	SIZE	COMMENTS:	REV
	<b>C</b>		<b>A</b>
	SCALE: 1:2	WEIGHT:	SHEET 1 OF 1