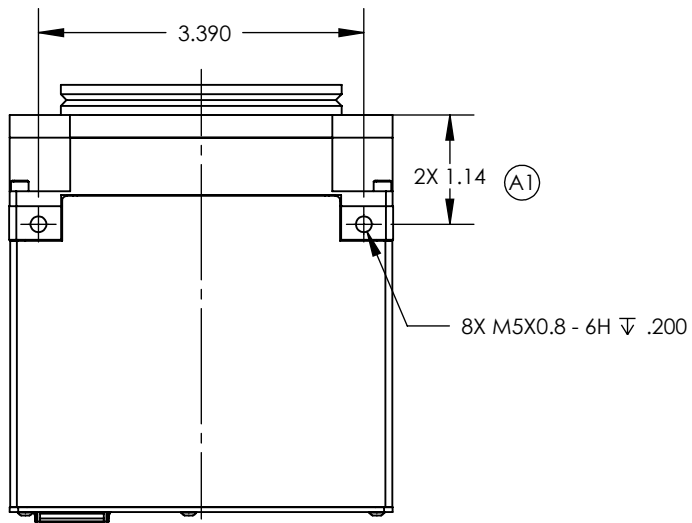
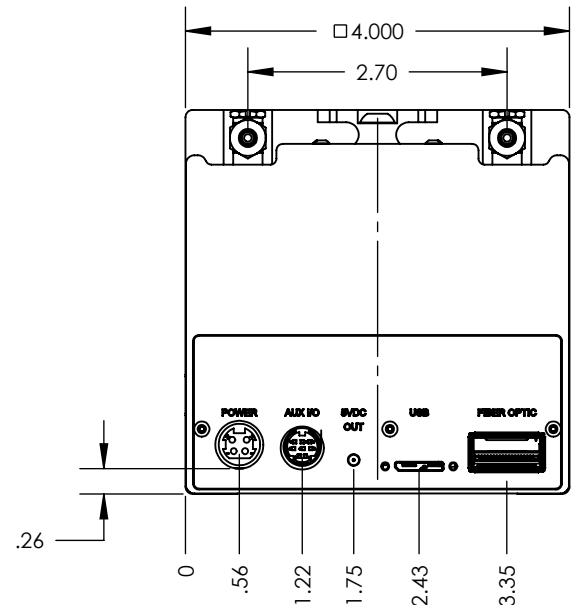
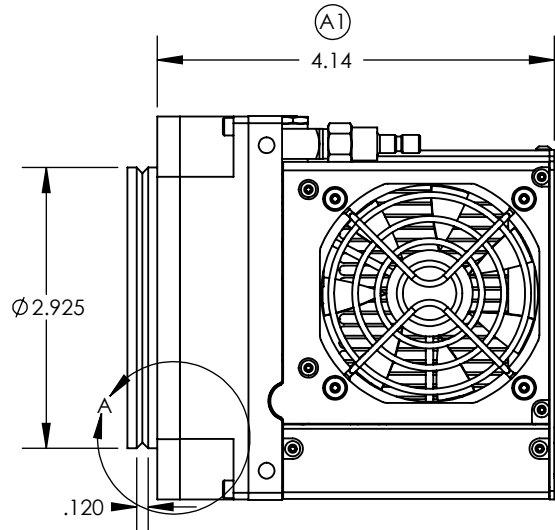
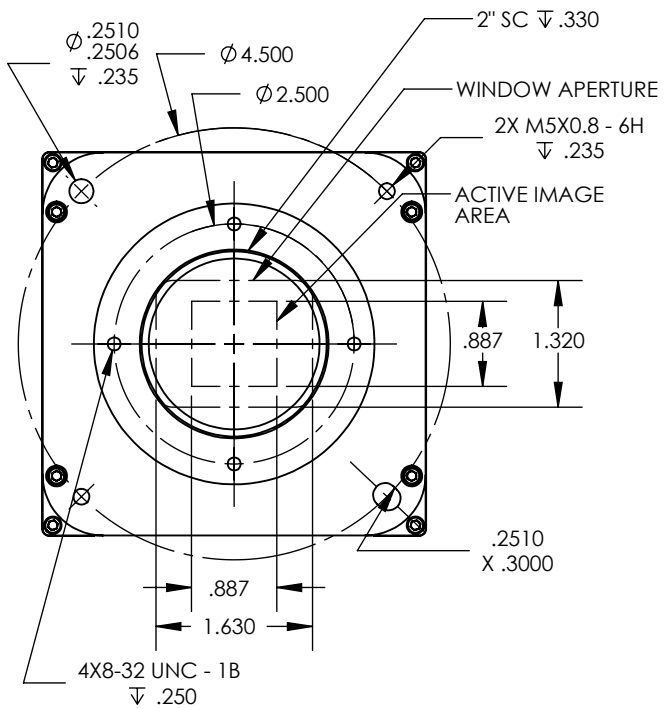
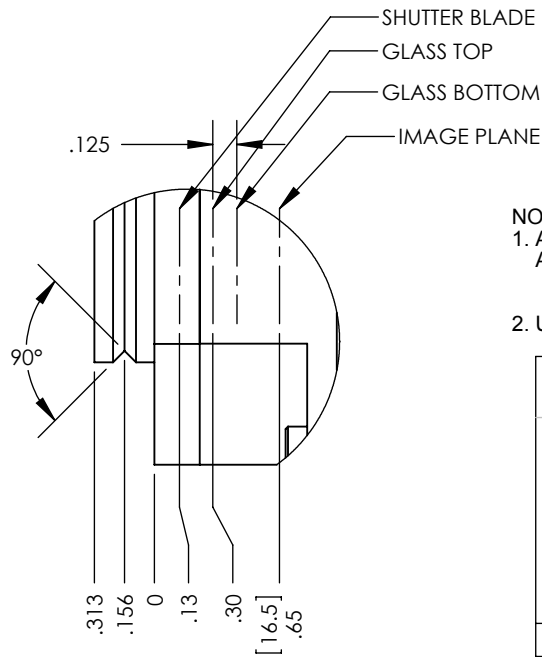


REV	DESCRIPTION	DATE
A	Release	8/30/17
A1	Chng pca thickness	10/18/17



VIEW TYPICAL ALL FOUR SIDES



DETAIL A
SCALE 1 : 1

NOTES:

- All dimensions are physical.
 - A. For optical distances:
 - Subtract 1mm for sealing window.
 - Subtract 0.3mm for CCD cover slip if present
- Unless otherwise noted all dimensions are symmetrical about centerline.

K00400 -34YN



PROPRIETARY AND CONFIDENTIAL:
THE INFORMATION CONTAINED IN THIS
DRAWING IS THE SOLE PROPERTY OF
FINGER LAKES INSTRUMENTATION.
ANY REPRODUCTION IN PART OR AS
A WHOLE WITHOUT THE WRITTEN
PERMISSION OF
FINGER LAKES INSTRUMENTATION
IS PROHIBITED.

NAME	DATE	SIZE	A	MATERIAL:
DRAWN REC	8/28/17	WT: 2.65		
ENG.		REV	A1	FINISH:
QUALITY		SCALE: 1:2		
PROD.				
DO NOT SCALE DRAWING			INTERPRET GEOMETRIC TOLERANCING PER: ASME Y14.5	SHEET 1 OF 1