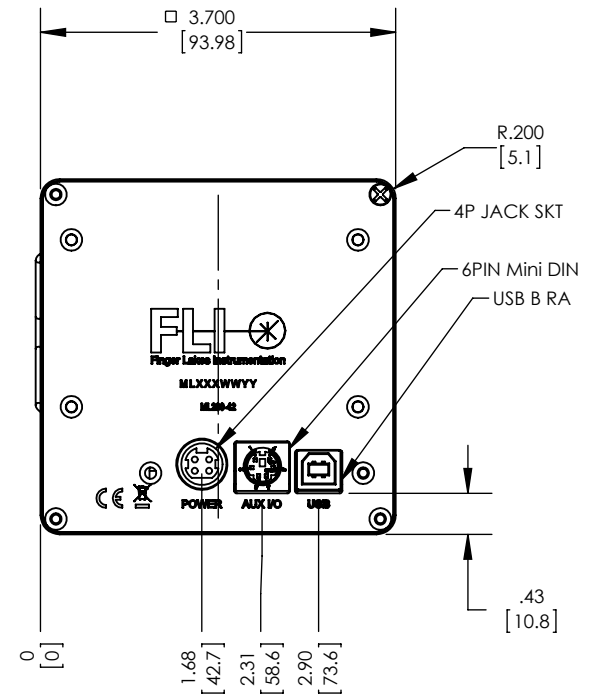
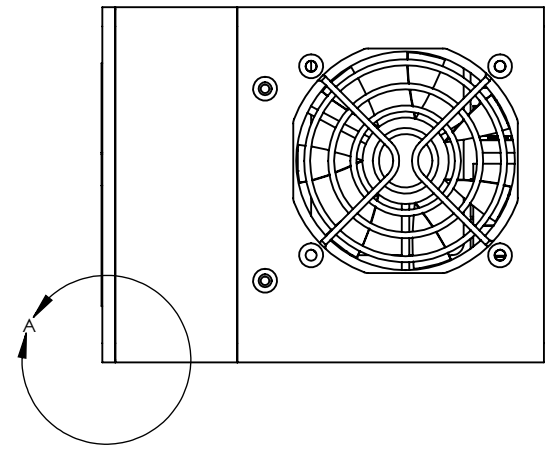
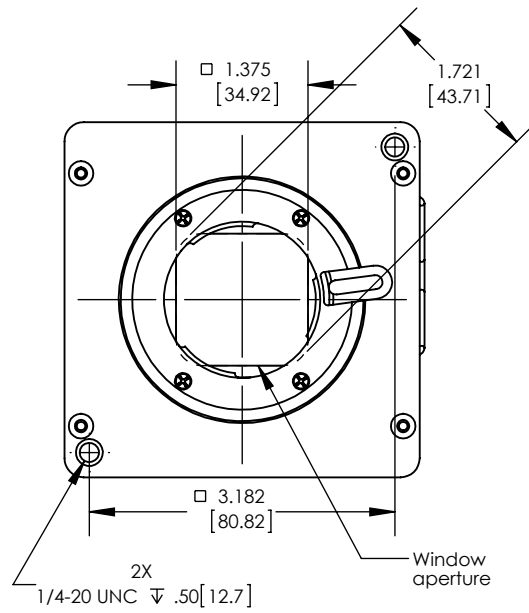
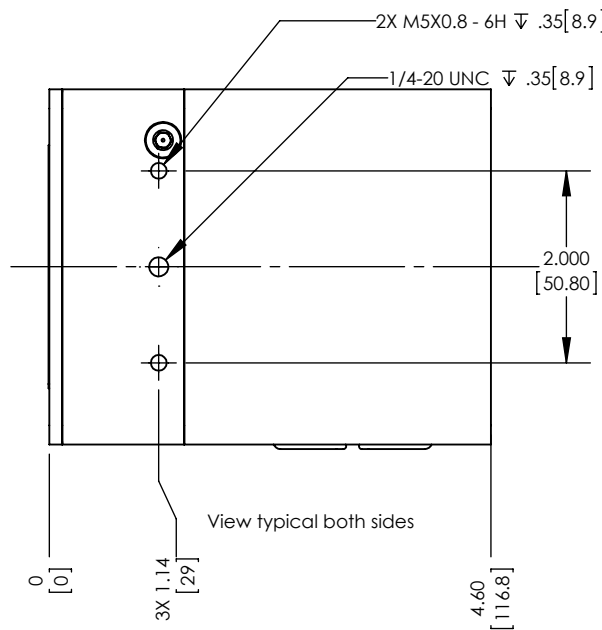
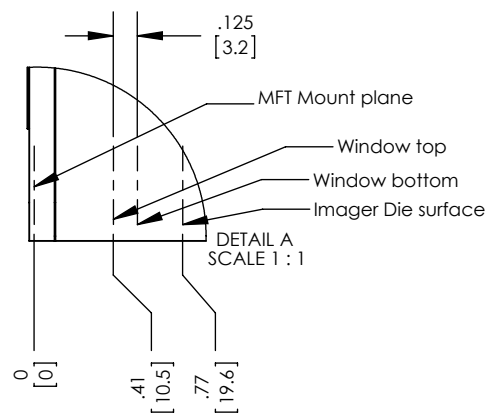


REV.	DESCRIPTION	DATE
A	Release	12/1/12



NOTES:  
 1. All dimensions are physical.  
 A. For optical distances:  
 1. Subtract 1mm for sealing window.  
 2. Subtract 0.3mm for CCD cover slip if present  
 2. Unless otherwise noted all dimensions are symmetrical about centerline.

MN4A-		NAME	DATE	Unless otherwise specified dimensions are in inches TOLERANCES: ∠ : ±1° X.XX ±.01 X.XXX ±.003 X.XXXX ±.0005	SIZE
PROPRIETARY AND CONFIDENTIAL: THE INFORMATION CONTAINED IN THIS DRAWING IS THE SOLE PROPERTY OF FINGER LAKES INSTRUMENTATION. ANY REPRODUCTION IN PART OR AS A WHOLE WITHOUT THE WRITTEN PERMISSION OF FINGER LAKES INSTRUMENTATION IS PROHIBITED.	DO NOT SCALE DRAWING	REC	08/11/15		INTERPRET GEOMETRIC TOLERANCING PER: ASME Y14.5
DRAWN					WT:
ENG.					REV
QUALITY					A
PROD.					SCALE: 1:2
					SHEET 1 OF 1