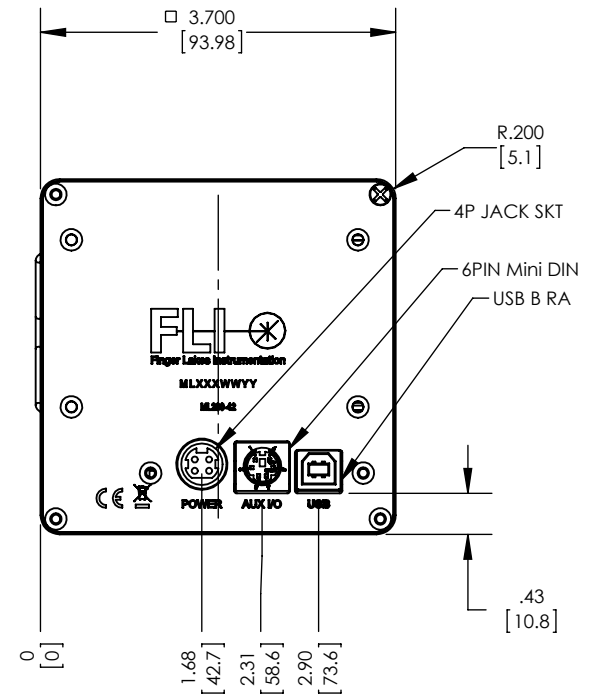
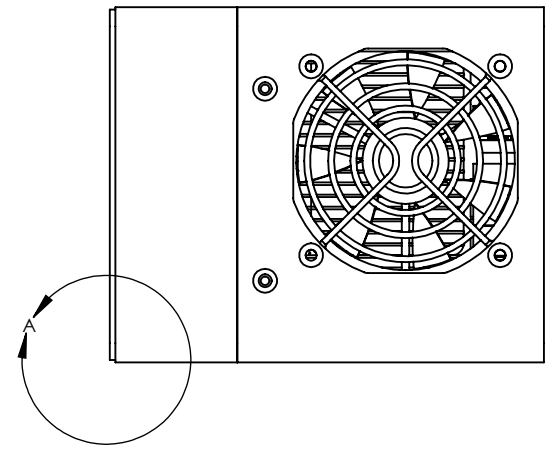
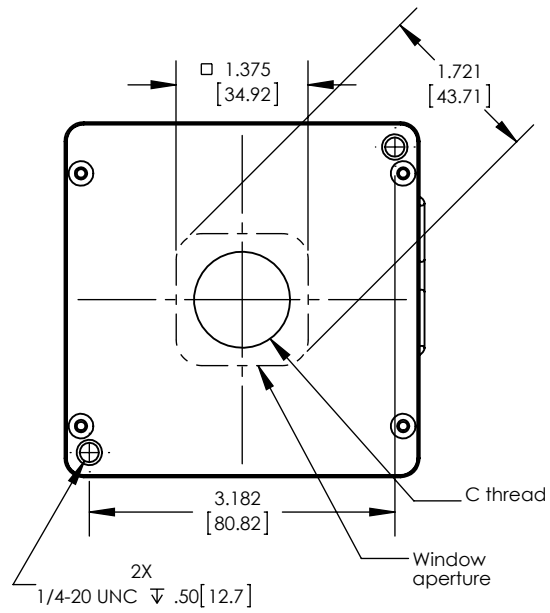
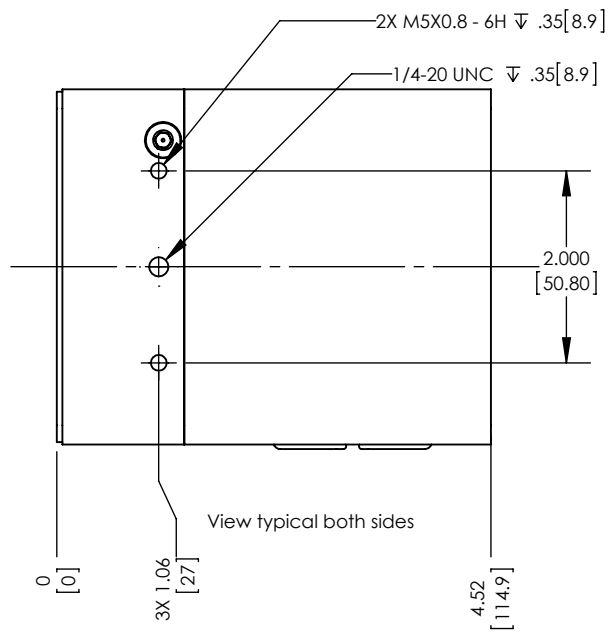
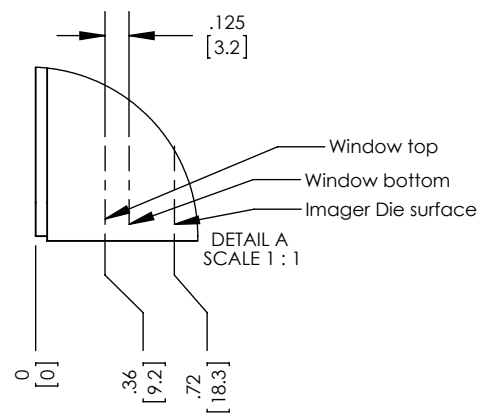


REV.	DESCRIPTION	DATE
A	Release	12/1/12
B	Standardize ML side mounts (L15-006)	2/4/2016



NOTES:
 1. All dimensions are physical.
 A. For optical distances:
 1. Subtract 1mm for sealing window.
 2. Subtract 0.3mm for CCD cover slip if present
 2. Unless otherwise noted all dimensions are symmetrical about centerline.

MNC A-		NAME	DATE	Unless otherwise specified dimensions are in inches TOLERANCES: $\angle : \pm 1^\circ$ X.XX ±.01 X.XXX ±.003 X.XXXX ±.0005 INTERPRET GEOMETRIC TOLERANCING PER: ASME Y14.5	SIZE
PROPRIETARY AND CONFIDENTIAL: THE INFORMATION CONTAINED IN THIS DRAWING IS THE SOLE PROPERTY OF FINGER LAKES INSTRUMENTATION. ANY REPRODUCTION IN PART OR AS A WHOLE WITHOUT THE WRITTEN PERMISSION OF FINGER LAKES INSTRUMENTATION IS PROHIBITED.	DO NOT SCALE DRAWING	DRAWN	REC		08/11/15
		ENG.			WT:
		QUALITY			REV
		PROD.			B
					SCALE: 1:2
					SHEET 1 OF 1