

Aurora CMOS Camera

AR455

PRELIMINARY

61.2 Megapixels at Up to 4 fps

Designed and manufactured in the USA with same extreme reliability as the thousands of FLI OEM cameras. Install in remote observatories around the world with complete confidence in a long, trouble-free life. Full frame sensor with 90% quantum efficiency and massive 43.1mm diagonal field of view to increase throughput.

Technical Data

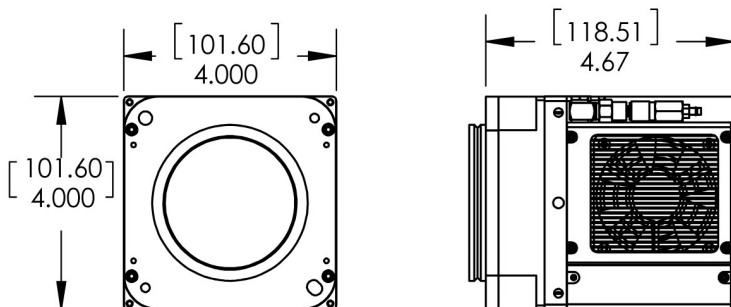
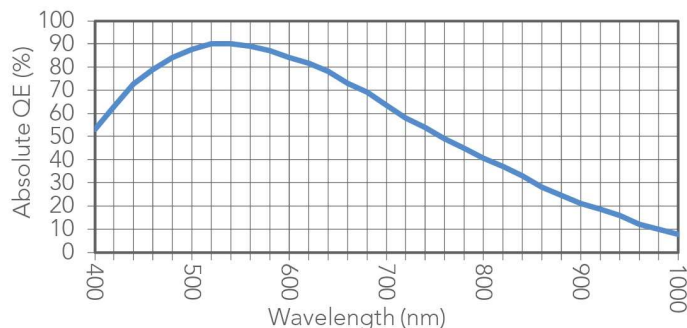
Sensor Type	Back Illuminated CMOS
Sensor	Sony IMX455
Shutter Type	Rolling; Rolling with Global Reset
Active Pixels	9568 x 6380
Pixel Size (microns)	3.76 x 3.76 μm
Imaging Area (Diagonal)	36 X 24 mm (43.2 mm)
Full Well Capacity (e-)	50000 electrons
Typical Readout Noise	1 e- (rolling)
Dynamic Range	93.6 dB
Frame Rate (fps)	4 fps
Cooling Method¹	Air or optional Liquid
Max. Cooling (Air)	50°C below ambient
Temperature Stability	0.1°C
Dark Current (typical)	0.002 eps at -20C
Interface	USB 3.0
Data Bit Depth	12 / 16 bit
Optional Shutter	None
Optional Mounts	Nikon F-Mount
Subarray Readout	Yes
External Trigger In/Out	Yes
SDK / Software	Kepler / FLI Pilot
Weight	2 lbs (.9 kg)

¹Cameras are plumbed for liquid circulation; External liquid circulation connectors sold separately.



Aurora with FLI Dovetail Flange

Absolute Quantum Efficiency



See FLIcamera.com for alternate configurations



MADE IN USA



Finger Lakes Instrumentation
FLIcamera.com
USA 585-624-3760