

Aurora CMOS Camera

AR571

PRELIMINARY

26.1 Megapixels at Up to 7 fps

Designed and manufactured in the USA with same extreme reliability as the thousands of FLI OEM cameras. Install in remote observatories around the world with complete confidence in a long, trouble-free life. High sensitivity with exceptionally low noise and dark current. Great combination of resolution and frame rate.

Technical Data

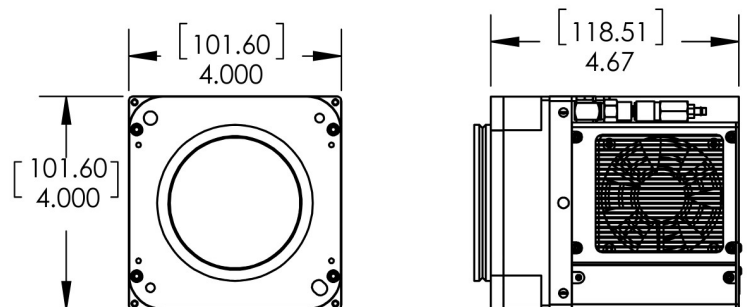
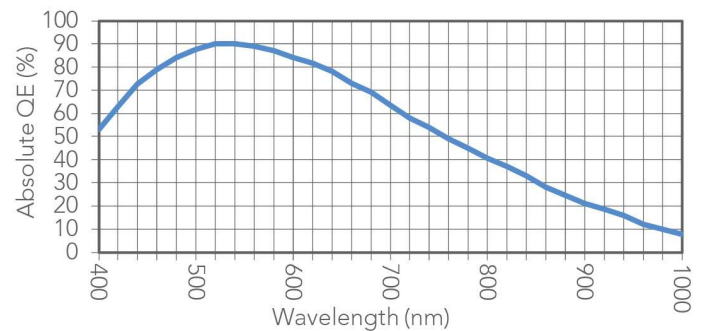
| | |
|-----------------------------------|------------------------------------|
| Sensor Type | Back Illuminated CMOS |
| Sensor | Sony IMX571 |
| Shutter Type | Rolling; Rolling with Global Reset |
| Active Pixels | 6244 x 4168 |
| Pixel Size (microns) | 3.76 x 3.76 μm |
| Imaging Area (Diagonal) | 23.5 X 15.7 mm (28.2 mm) |
| Full Well Capacity (e-) | 50000 electrons |
| Typical Readout Noise | 1 e- (rolling) |
| Dynamic Range | 93.6 dB |
| Frame Rate (fps) | 7 fps |
| Cooling Method¹ | Air or optional Liquid |
| Max. Cooling (Air) | 50°C below ambient |
| Temperature Stability | 0.1°C |
| Dark Current (typical) | 0.002 eps at -20C |
| Interface | USB 3.0 |
| Data Bit Depth | 12 / 16 bit |
| Optional Shutter | None |
| Optional Mounts | Nikon F-Mount |
| Subarray Readout | Yes |
| External Trigger In/Out | Yes |
| SDK / Software | Kepler / FLI Pilot |
| Weight | 2 lbs (.9 kg) |

¹Cameras are plumbed for liquid circulation; External liquid circulation connectors sold separately.



Aurora with FLI Dovetail Flange

Absolute Quantum Efficiency



See FLIcamera.com for alternate configurations



MADE IN USA



Finger Lakes Instrumentation
FLIcamera.com
USA 585-624-3760

zSensorXraw 23.47744